

TECHNICAL SPECIFICATION

FOUR CHANNEL POWER REPEATER



- Used with various LED constant voltage controller, expand output power of the controller to control more lamps.
- A controller can connect unlimited number of LED power repeaters in series or in parallel, and achieve the synchronous control effects.

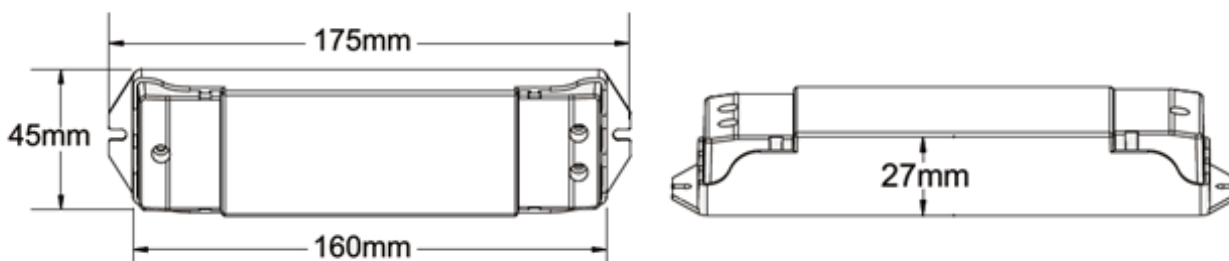
Technical data:

Input voltage:	12-36VDC
Output current:	4CH, 5A/CH
Output power:	4 x (60-180) W
Working temperature:	-30°C~55°C
Product size:	L175×W45×H27mm
Net weight:	114g
Catalogue number:	99REPEATER4

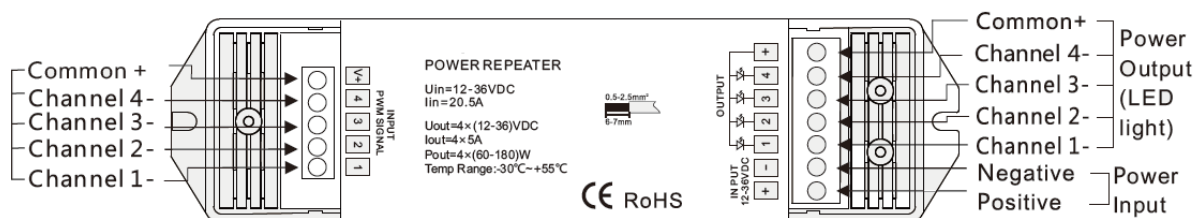
LED power supply voltage and power select:

- 12V lamp, Input 12V power supply, can load 0~240W, 24V lamp, Input 24V power supply, can load 0~480W,
- 36V lamp, Input 36V power supply, can load 0~760W. The power supply power must larger than load power 20%.

Dimensions:

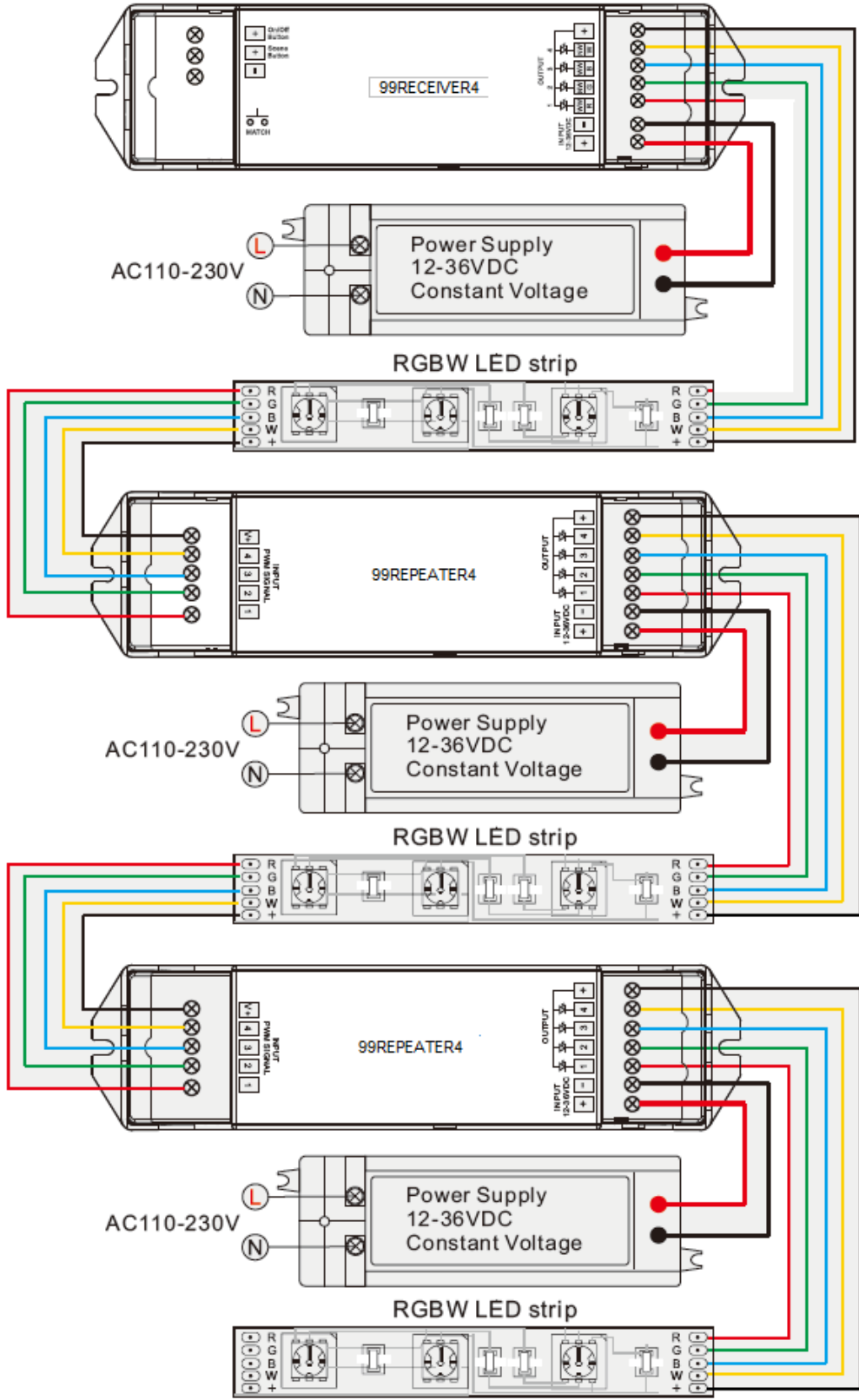


Interface Specification:



Wiring Diagram:

- **Series connection**



▪ **Parallel connection**

